



Electrolux

Modular Cooking Range Line 900XP 6-Burner Gas Range on Large Gas Oven

ITEM # _____

MODEL # _____

NAME # _____

SIS # _____

AIA # _____



Electrolux



Modular Cooking Range Line

900XP 6-Burner Gas Range on Large Gas Oven

391015 (E9GCGL6CLO) 6-burner (2x10 kW, 4x6 kW)
gas range on large gas oven
(12 kW)

Short Form Specification

Item No. _____

To be installed on stainless steel feet with height adjustment up to 50 mm. High efficiency flower flame burners with continuous power regulation and optimized combustion. Flame failure device as standard on burners to protect against accidental extinguishing. Oven chamber with 3 levels of runners to accommodate shelves (wxd 972x687mm). Ribbed, cast-iron oven base plate. Exterior panels of unit in stainless steel with Scotch Brite finish. Pan supports in heavy duty cast iron. Extra strength work top in heavy duty 2 mm Stainless steel. Right-angled side edges to allow flush-fitting junction between units.

Main Features

- Unit to be mounted on stainless steel feet with height adjustment up to 50 mm. Unit can be easily mounted on cantilever systems.
- The four 6 kW and two 10 kW high efficiency burners are available in two different sizes to suit high performing cooking requirements of the most demanding customers:
 - 60 mm burners with continuous power regulation from 1,5 to 6 kW.
 - 100 mm burners with continuous power regulation from 2.2 kW to 10 kW.
- Gas appliance supplied for use with natural or LPG gas, conversion jets supplied as standard.
- Large sized pan support in cast iron (stainless steel as option) with long center fins to allow the use of the largest down to the smallest pans.
- Burners with optimized combustion.
- Flame failure device on each burner protects against gas leakage when accidental extinguishing of the flame occurs.
- Protected pilot light.
- Base compartment consists of a large gas heated standard oven with stainless steel burners and self stabilizing flame positioned beneath the base plate. Oven chamber to have 3 levels of runners to accommodate 2/1 GN shelves (2 steam pans) and ribbed cast iron base plate.
- Oven thermostat adjustable from 120 °C to 280 °C.
- 40 mm thick oven door for heat insulation.
- The special design of the control knob system guarantees against water infiltration.
- IPX5 water protection.

Construction

- Unit is 930 mm deep to give a larger working surface area.
- All exterior panels in Stainless Steel with Scotch Brite finishing.
- AISI 304 stainless steel worktop, 2mm thick.
- Model has right-angled side edges to allow flush fitting joints between units, eliminating gaps and possible dirt traps.

Optional Accessories

- Junction sealing kit PNC 206086
- Draught diverter with 150mm diameter PNC 206132
- Matching ring for flue condenser PNC 206133

APPROVAL: _____



Electrolux

Modular Cooking Range Line 900XP 6-Burner Gas Range on Large Gas Oven

- 4 wheels, 2 swivelling with brake (700/900XP). It is mandatory to install with base supports for feet/wheels. PNC 206135
- Flanged feet kit PNC 206136
- Single burner radiant plate for pan support PNC 206170
- Frontal kicking strip, 1200mm (not for refr-freezer base) PNC 206178
- Pair of side kicking strips (not for refr-freezer base) PNC 206180
- 2 panels for service duct for single installation PNC 206181
- 2 panels for service duct for back to back installation PNC 206202
- Chrome grid for large oven PNC 206204
- 4 feet for concrete installation PNC 206210
- Flue condenser for 1 module, 150 mm diameter PNC 206246
- Water coulmn with swivel arm (water column extension not included) PNC 206289
- Water column extension for 900 line PNC 206290
- Stainless steel double grid for 2 burners PNC 206298
- Chimney upstand, 1200mm PNC 206306
- Wok pan support for open burners (700/900) PNC 206363
- Base support for feet or wheels (lateral) for pastacooker PNC 206371
- Rear paneling - 1200mm (700/900) PNC 206376
- Kit town gas nozzles (G150) for 900 gas ranges on gas oven PNC 206385
- Chimney grid net, 400mm PNC 206400
- Side handrail-right/left hand PNC 216044
- Frontal handrail 1200mm PNC 216049
- Frontal handrail 1600mm PNC 216050
- 2 side covering panels for free standing appliances PNC 216134
- Large handrail - portioning shelf, 400mm PNC 216185
- Large handrail - portioning shelf, 800mm PNC 216186
- Pressure regulator for gas units PNC 927225



**Modular Cooking Range Line
900XP 6-Burner Gas Range on Large Gas Oven**

The company reserves the right to make modifications to the products without prior notice. All information correct at time of printing.

2014.06.26



Electrolux

Modular Cooking Range Line 900XP 6-Burner Gas Range on Large Gas Oven

Gas

Gas Power:

391015 (E9GCGL6CLO) 190904 Btu/hr (56 kW)

Gas Type Option:

LPG; Natural Gas

Gas Inlet:

1/2"

Natural gas - Pressure:

7" w.c. (17.4 mbar)

LPG Gas Pressure:

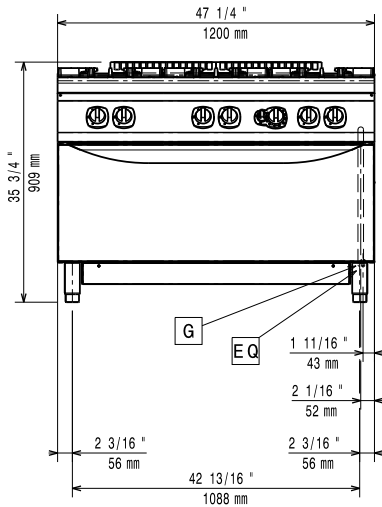
11" w.c. (27.7 mbar)

Key Information

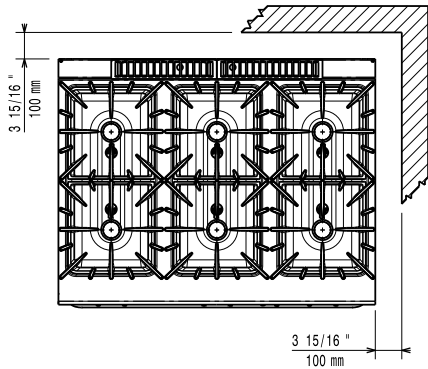
Front Burners Power	6 - 6 kW
Back Burners Power	10 - 10 kW
Middle Burners Power:	6 - 0/6 - 0 kW
Back Burners Dimension - mm	Ø 100 Ø 100
Front Burners Dimension - mm	Ø 60 Ø 60
Middle Burners Dimension - mm	Ø 60 Ø 60
Oven working Temperature:	120 °C MIN; 280 °C MAX
Oven Cavity Dimensions (width):	1000 mm
Oven Cavity Dimensions (height):	380 mm
Oven Cavity Dimensions (depth):	700 mm
Net weight:	200 kg
Shipping weight:	235 kg
Shipping height:	1030 mm
Shipping width:	1020 mm
Shipping depth:	1300 mm
Shipping volume:	1.37 m ³

If appliance is set up or next to or against temperature sensitive furniture or similar, a safety gap of approximately 150 mm should be maintained or some form of heat insulation fitted.

Front

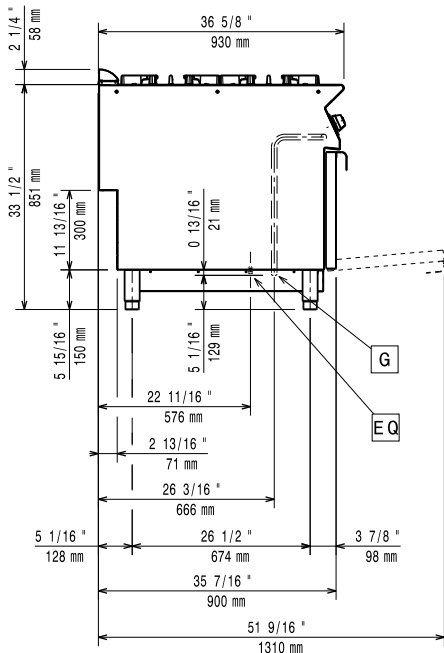


Top



G = Gas connection

Side



Modular Cooking Range Line
900XP 6-Burner Gas Range on Large Gas Oven

The company reserves the right to make modifications to the products without prior notice. All information correct at time of printing.